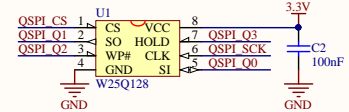
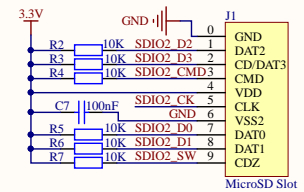


B0~B7, G0~G7, R0~R7

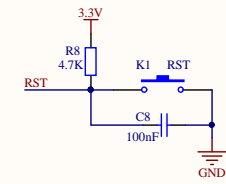
MCU



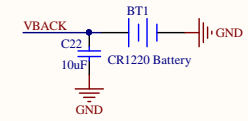
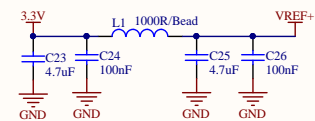
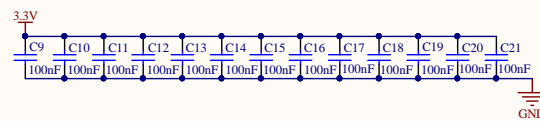
FLASH (16M Bytes)



SD Slot

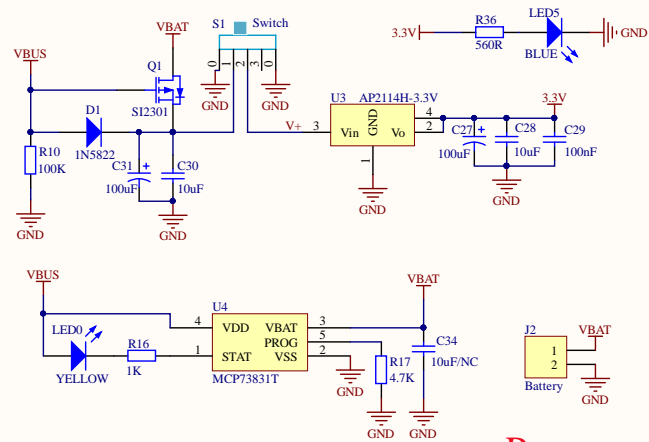


RESET

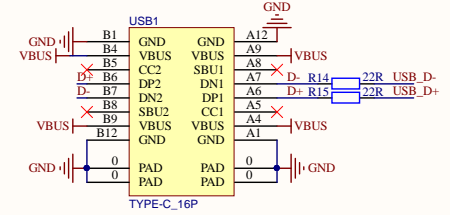


VBACK

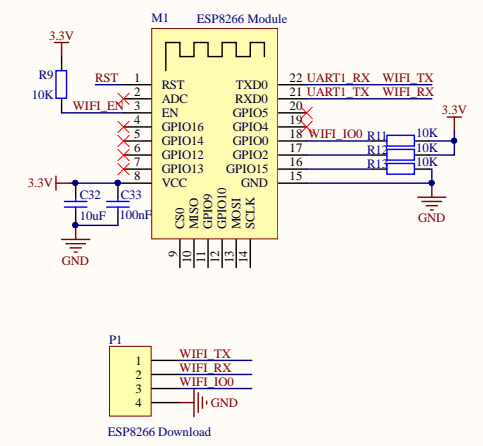
Title			Core		
Size	Number	www.01Studio.org		Revision	of
A3				v1.0	
Date:	2021-05-19	Sheet	of		
File:	D:\微云同步\01Core.SchDoc	Drawn By:			



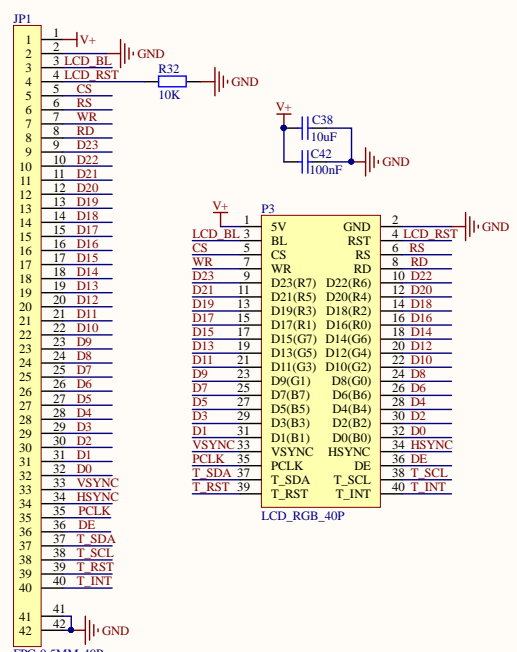
Power



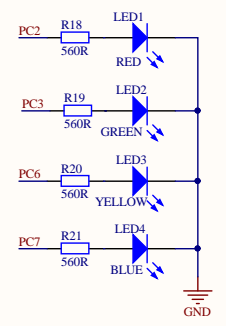
USB



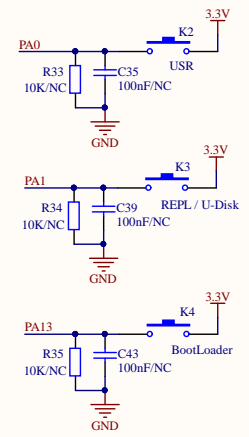
WiFi Module



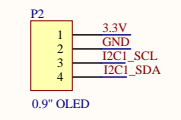
TFT_LCD



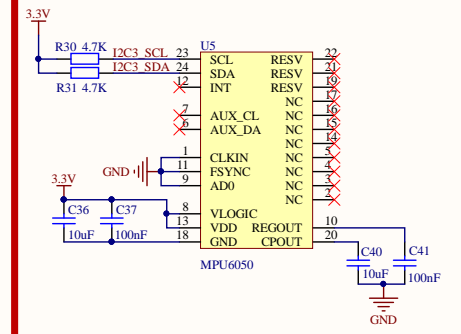
LEDS



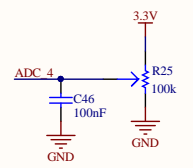
KEYS



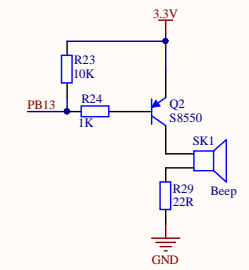
OLED



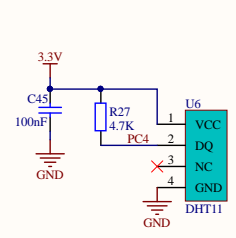
6 Axis Accelerometer



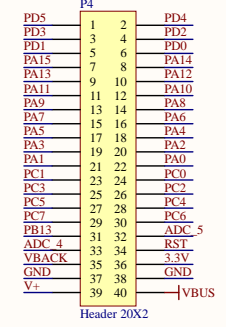
ADC



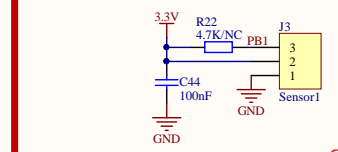
BEEP



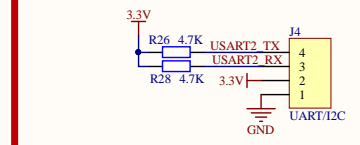
DHT11



GPIO



Sensor 3P



UART/I2C 4P

Title			
Devices			
Size	Number	www.01Studio.org	Revision
A3			v1.0
Date:	2021-05-19	Sheet	of
File:	D:\微云同坝\Devices.SchDoc	Drawn By:	

